

# Emily





Construction:  
Plywood and hardwood

Seat : No sag spring

Back rest: Elastic webbing

Seat Cushion:  
30KG/M3 + 22KG/M3 + 43KG/M3  
Polyurethane foam+Dacorn fibre  
+Duck downV-TECH Memory foam

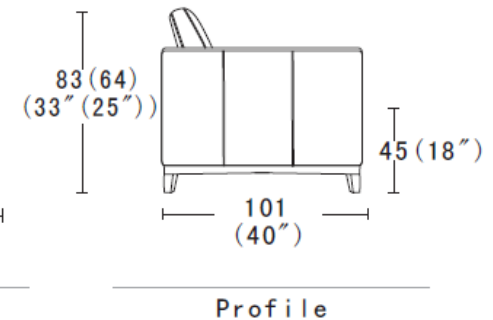
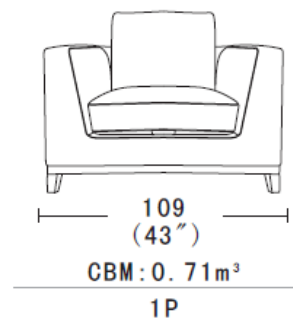
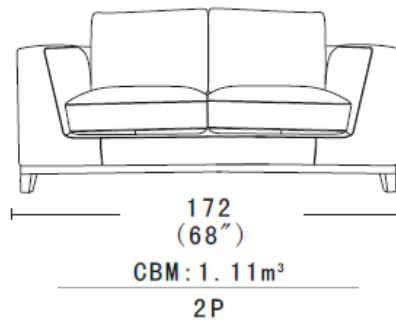
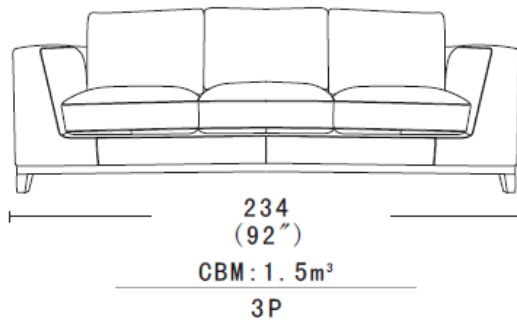
Back Cushion:  
Dacorn fibre+Duck down

Cushion removable:  
Movable seat and back cushion

Functionality:  
Not available

Sofa Legs:  
Wooden legs 8.4cm

Feet Disassembly:  
Yes



This information is based on the latest product information available at the time of printing. The right to discontinue and make changes is reserved