

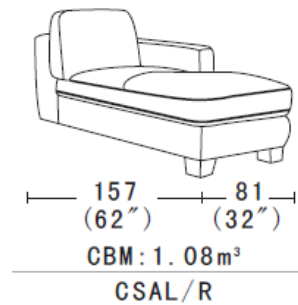
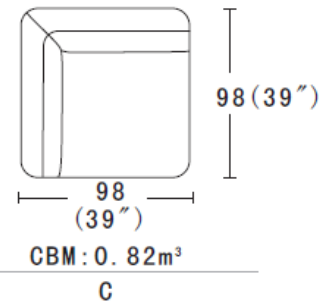
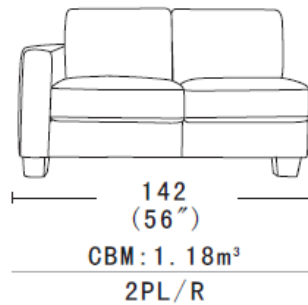
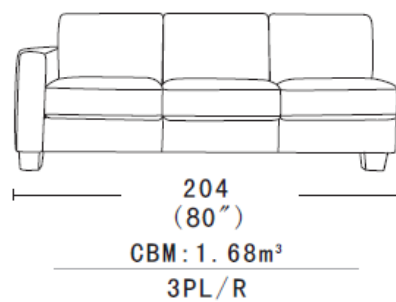
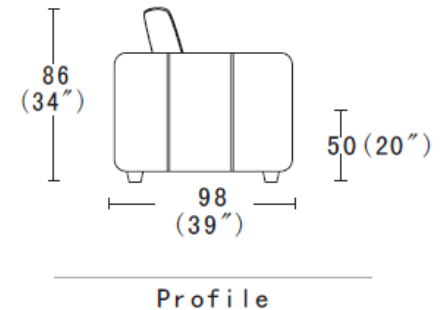
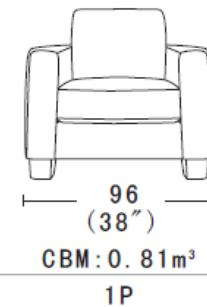
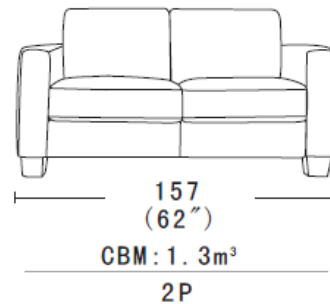
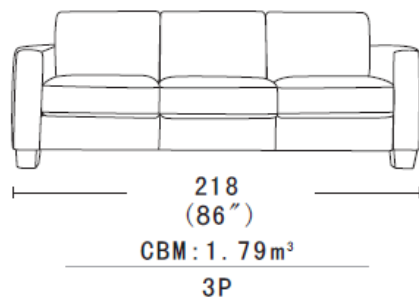
Ohama





Construction:
Plywood and pine wood ,
brown motherboard
Seat : Elastic webbing
Back rest: Elastic Webbing
Seat Cushion:
36KG/M3
polyurethane foam
Back Cushion:
Dacron fibre

Cushion removable:
Not available
Functionality:
Not available
Sofa Legs:
Wooden legs 10.5cm
Feet Disassembly:
Yes



This information is based on the latest product information available at the time of printing. The right to discontinue and make changes is reserved